

## Compact Mast MUM45 with Game System

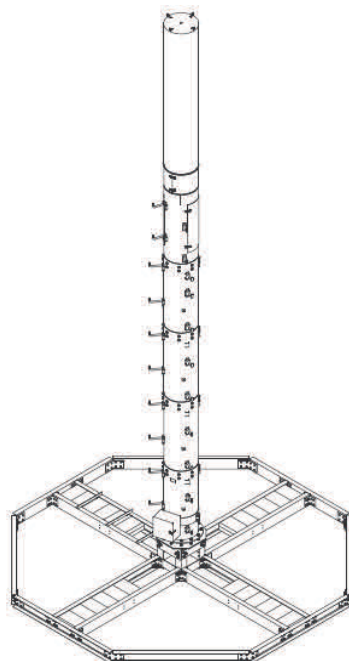
- Diameter = 450mm
- Installation without crane
- Modular design
- Adaptability
- Different kind of fixings

### Main features

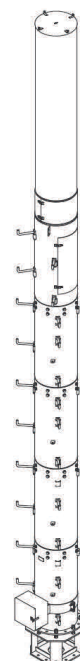
Minimum visual impact	It is possible to minimize the visual impact integrating the antenna and mast diameter
Accessibility	Easy access to the connectors, azimuth and tilt area. Quick release doors and existence of removable "pates" around the junction of the last section to provide access to all three sectors. And both module doors are
Double azimuth	All of our antennas have global azimuth between $-50^\circ$ and $+50^\circ$ , and independent azimuth per sector that could be varied because of the type of installed antenna.
Multisector configuration	One-sector, bisector $120^\circ$ , bisector $180^\circ$ .
Variable Electrical Tilt, with RET (Remote Electrical Tilt)	Antennas are prepared to be installed with external or internal RET
Security System	GAME SYSTEM (vertical lifeline safety system) included in all of the sites where necessary

### Types of masts as a function of height and anchor

NAME	BEDPLATE	ON THE GROUND	ON THE WALL
MUM45 0M	1,1 m		0,9 m
MUM45 1M	1,6 m		1,5 m
MUM45 2M (*)	2,7 m / 2,2 m		2,6 m / 2,1 m
MUM45 3M (*)	3,8 m / 3,3 m		3,7 m / 3,2 m
MUM45 4M (*)	4,9 m / 4,4 m		4,8 m / 4,3 m
MUM45 5M (*)	6,0 m / 5,5 m		5,9 m / 5,4 m



BEDPLATE



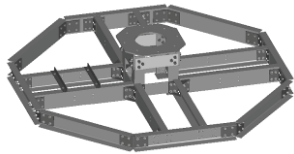
GROUND



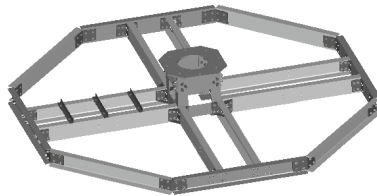
WALL

### Type of bedplate according to the mast and antenna

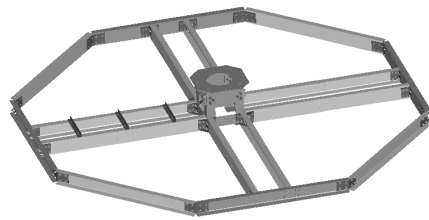
ANTENNA	MUM45-0M	MUM45-1M	MUM45-2M	MUM45-3M	MUM45-4M	MUM45-5M
450mm diameter compact antennas Up to 3m length	M Bedplate	M Bedplate	L Bedplate	L Bedplate	XL Bedplate	XL Bedplate
635mm diameter compact antennas Up to 3m length	M Bedplate	L Bedplate	L Bedplate	XL Bedplate	XL Bedplate	XL Bedplate



Size M bedplate



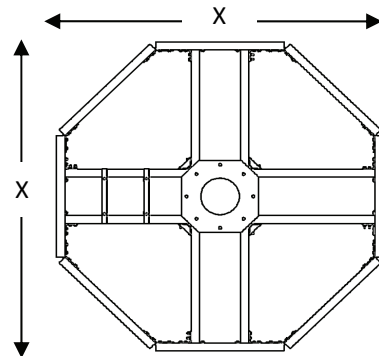
Size L bedplate



Size XL bedplate

### Bedplate sizes

M Bedplate	2500 x 2500 mm
L Bedplate	3400 x 3400 mm
XL Bedplate	4400 x 4400 mm



### TOP COVER Models

Classic	
Slotted	
Without top cover	-

**Main features**

Maximum deviation allowed under 1,5°	Wind speed 165 Km/h
Max. wind speed	200Km/h
Adjustable bedplate	Capacity leveling up to 7°
Ground anchoring	Capacity leveling up to 3°
NBAE	< 150Kg/m2

**Advantages**

Lower visual impact on urban sites.
Cables, RET and TMA located on the mast.
Not necessary crane mounting.
Modularity: Heights depending on the sites
Small items which allow transport by lift or staircase
Valid for 450 or 635 Telnet antennas
Bedplate is able to be installed without a crane
Ability to adapt to sites with limited space.
Low cost of installation and maintenance.
Safety system included in the mast.
Multiple configurations depending on needs of the site.