

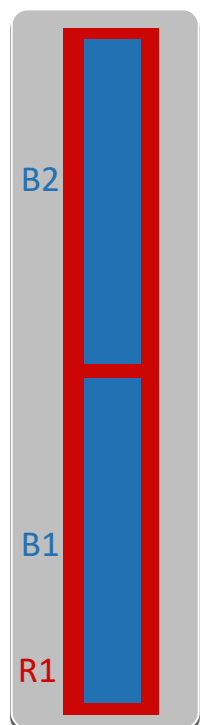
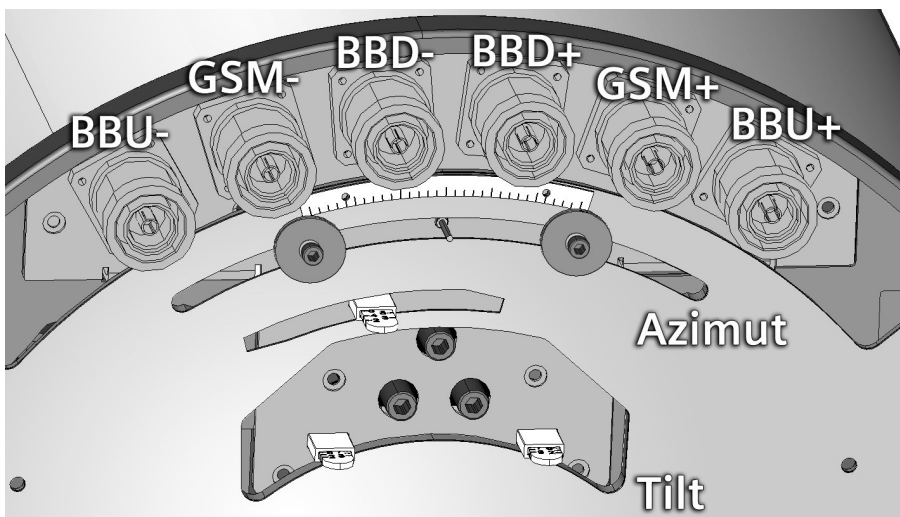
TRISECTOR TRIBAND 1x 790-960 MHz, 2x 1710-2170 MHz

- Compact Antenna
- Diameter 450 mm
- External RET available
- Azimuth per sector $\pm 15^\circ$

RF Electrical specifications*

| Frequency Range (MHz) | | 790-960 | 1710-2170 |
|---|---------|----------|-----------|
| Cluster Name | | R1 | B1 // B2 |
| Gain (dBi) | Average | 17 | 17 |
| Azimuth Beamwidth (deg) | Average | 65,2 | 56,9 |
| Elevation Beamwidth (deg) | Average | 7,2 | 6,5 |
| First Upper Sidelobe level | | 17 | 17 |
| Cross Polar Discrimination at Boresight (dB) | | >19 | >23 |
| Front to Back Ratio total power $\pm 30^\circ$ (dB) | | >25 | > 25 |
| Cross Polar Isolation (dB) | | > 30 | > 30 |
| Interband isolation (dB) | | > 30 | |
| Polarization (deg) | | ± 45 | |
| Electrical Downtilt (deg) | | 2–10 | |
| Impedance (Ω) | | 50 | |
| VSWR | | < 1.5:1 | |
| PIM, 2x43dB (dB) | | < -150 | |
| Max. Effective Power per Port (W) | | 300 | |

* All specifications are subject to change without notice. Refer to TELNET for the most current information.



Mechanical specifications

| | |
|---|----------------------------------|
| Antenna Dimensions: Height/Diameter (mm) | 2754 + 300 x 450 |
| Packing Size: Height/Width/Depth (mm) | 3126 x 566 x 572 |
| Net Weight (kg) | 117 |
| Shipping Weight (kg) | 129 |
| Connector Quantity | 18 (3x6) |
| Connector Type | 7/16 or 4.3-10 female connectors |
| Connector Position | Bottom |
| Survival wind speed (km/h) | 200 |
| Azimuth (Full antenna / Per Sector) | ± 50° / ± 15° |
| Radome Material | Fiber glass + polyester |
| Radome Colour | RAL9018 |
| Mechanical Distance between Mounting Points - Antenna | N/A |
| Mechanical Distance between Mounting Points - Pole | N/A |
| Lightning Protection | DC grounded |

TELNET RET

| | |
|---|--|
| RET Type | External |
| Actuator standalone size: Height / Width / Depth (mm) | 110 x 60 x 60 |
| Actuator installed size: Height / Width / Depth (mm) | 110 x 60 x 60 |
| Working temperature range (°C) | -33 – 70 |
| Power consumption (W) | 1 – 10 |
| Loss of position on power failure | False |
| Compatible standards | 3GPP/AISG 2.0 |
| Configuration management | External RET, pre-configured. |
| Antenna configuration file availability | True |
| Antenna configuration file upgradability | Yes, by base station and proprietary portable controller |
| Software upgradability | Yes, by portable controller only. |
| Replaceability in field | Yes, without removing antenna. |
| Visual indicator available on tilt change | True |
| Daisy chain available | True |


Ordering codes

| CODE | RET | 4.3-10 or 7/16 connectors |
|-----------------------|--------------|---------------------------|
| TNA670A10R: | RET included | 7/16 |
| TNA670A10: | Without RET | 7/16 |
| TNA670A10R001: | RET included | 4.3-10 |
| TNA670A100001: | Without RET | 4.3-10 |




RET Cabling recommendations:


Internal cabling for daisy chain connexion between RETS

| | | |
|-------------------|---|--|
| Telnet cable code | TNR211050 |  |
| Connector 1 | IEC 60130-9, female right angle connector | |
| Connector 2 | IEC 60130-9, male right angle connector | |
| Length | 500 mm | |

Cabling between RETs and BTS/RRU: Option 1

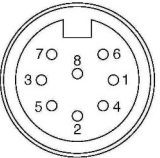
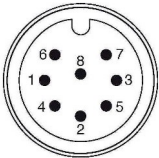
| | | |
|-------------------|--|--|
| Telnet cable code | TNR212xxx (where xxx is the length of the cable) |  |
| Connector 1 | IEC 60130-9, female right angle connector | |
| Connector 2 | IEC 60130-9, male connector | |
| Length | From 1m to 150m | |

Cabling between RETs and BTS/RRU: Option 2

| | | |
|-------------------|--|--|
| Telnet cable code | TNR215xxx (where xxx is the length of the cable) |  |
| Connector 1 | IEC 60130-9, female connector | |
| Connector 2 | IEC 60130-9, male connector | |
| Length | From 1m to 150m | |

Pin assignment

| | |
|---|----------------|
| 1 | Not connected |
| 2 | Not connected |
| 3 | RS485 B |
| 4 | Not connected |
| 5 | RS485 A |
| 6 | +10V - +30V DC |
| 7 | DC Return |
| 8 | Not connected |

Contact Information

TELNET Redes Inteligentes Headquarters

Polígono Industrial Centrovia
c/ Buenos Aires, 18
50198 La Muela, Zaragoza
España
Tel: (+34) 976 14 18 00
Fax: (+34) 976 14 18 10
telnet@telnet-ri.es

Commercial office in Madrid

Avda. Menéndez Pelayo, 85 - 1º A
28007 Madrid
España
Tel: (+34) 91 434 39 92
Fax: (+34) 91 434 40 84

Subsidiary in Portugal

NETIBERTEL
Av. Fontes Pereira de Melo, 35 - 14ºD
1050-118 Lisboa
Portugal
comercial_pt@telnet-ri.es

www.telnet-ri.es