

WaveAccess 512

GPON ONT 1GbE in DIN rail enclosure for industrial environment

Features

Optical Network Unit in DIN rail enclosure to be used in FTTH architectures (Fiber to the Home) or FTTB (Fiber to the Building) in industrial, office and residential environments.

Bandwidth

Maximize the usage of the GPON network by allowing data transferring at rates of 2.488 Gbps (Downstream) and 1.244 Gbps (Upstream)

Class B+ optics

To transmit and receive optical power according to ITU-T G.984.2 standard, allowing up to 20km links

KEY FEATURE

DIN Rail enclosure

The WaveAccess 512 is designed to be placed in a DIN rail, allowing an organized installation in an electrical panel together with other TELNET devices such as the WaveTV102.

AES decryption and FEC coding

Compatible with AES-128 deciphering and FEC coding, supported in both uplink and downlink.

KEY FEATURE

Daisy-Chain power supply

The WaveAccess 512 is powered with a 220V AC input, having an output at the same voltage, allowing Daisy Chain power supply to other WaveAccess 512, or to other TELNET devices such as the WaveTV 102 with only one input power cable.

ITU-T G.984 - OMCI

The OMCI stack has been implemented following the standard.

KEY FEATURE

Interoperable

Compatible with main vendors' GPON OLTs*



WaveAccess 512

TELNET WaveAccess family

TELNET Redes Inteligentes WaveAccess family offers a wide variety of ONTs based on GPON technology (Gigabit Passive Optical Network).

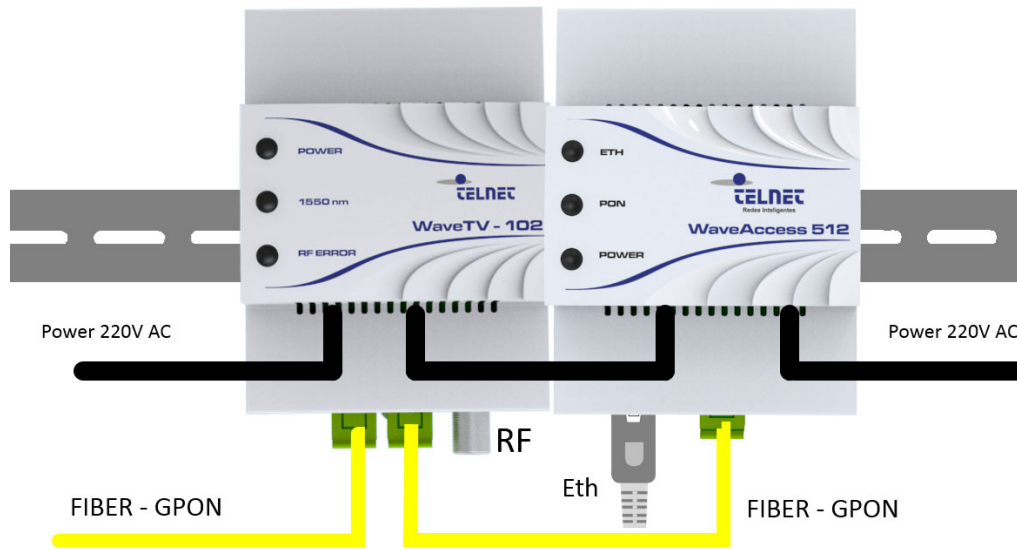
Aiming to cover the different needs that can appear during a GPON network deployment, TELNET offers level 2 and level 3 ONTs, in SFP format, with Gigabit Ethernet ports, POTS ports, WiFi, integrated Router or RF output for video overlay services. (RF Overlay).

This variety of ONTs allow the operator to deploy the most adequate equipment for each of the different access architectures available, such as Fiber To The Home (FTTH), Fiber To The Building (FTTB) or Fiber To The Desk (FTTD), as well as the different environments of the user network, such as residential, industrial or business.

The WaveAccess family implements the OMCI stack and support VLAN tagging (802.1p and Q-in-Q), which makes them capable of supporting the services defined in the technical report of the Broadband Forum TR-156.

All WaveAccess family ONTs are 100% compatible with TELNET's SmartOLT, and its web management system, the TGMS (TELNET GPON Management System). Using the TGMS, the operator can configure triple play offers in a matter of minutes, and manage all the SmartOLTs and ONTs deployed, all of this from a single web interface, and in an easy and intuitive way.

Technical Specifications



Daisy-chain connection for fiber and power supply with WaveTV 102 and WaveAccess 512 in DIN rail.

Interfaces

- 1 x SC/APC connector
- 1 x 10/100/1000Base-T port

Ethernet interface

- 1 x 10/100/1000 Base-T interface with RJ-45 connector
- 802.1D bridging
- Ethernet port with auto negotiation or manual configuration
- Virtual Switch based on 802.1q VLAN
- IGMP Snooping, supports IGMP v1/v2/v3

Optical Interface

- Complies with GPON ITU-T G.984.x standards
- SC/APC connector
- Wavelengths: US 1310nm, DS 1490nm

GPON

- ONT optical class: B+
- Designed following ITU-T G.984.x and G.988 standards
- Activation with automatically discovered SN and password in conformity with ITU-T G.984.3
- AES-128 Decryption with key generation and switching
- Bi-directional FEC (Forward Error Correction)

Installation

- Dimensions: 95 x 70 x 67mm
- Power supply:
 - WA512: 220V AC 50/60Hz
 - WA513: 48V DC
- DIN rail

Operating range

- Temperature
 - Operating temperature: -10°C ~ 60°C
 - Storage temperature: -20°C ~ 70°C
- Humidity: 10 ~ 90% relative

Ordering information

- Name: WaveAccess 512
- Reference: 40004029

Contact Information

**TELNET Redes Inteligentes
Headquarters**
Industrial Area Centrovía
18 Buenos Aires St.
50198 La Muela, Saragossa, Spain
Phone: (+34) 976 14 18 00
Fax: (+34) 976 14 18 10
telnet@telnet-ri.es

Commercial office in Madrid
85 Menéndez Pelayo Avenue, 1º A
28007 Madrid, Spain
Phone: (+34) 91 434 39 92
Fax: (+34) 91 434 40 84

Subsidiary in Portugal
NETIBERTEL
35 Fontes Pereira de Melo Avenue, 14ºD
1050 -118 Lisbon, Portugal
comercial.pt@telnet-ri.es

Subsidiary in Mexico
TELNET Azteca
Darwin 74, 3 floor, Col. Anzures
Del. Miguel Hidalgo C.P. 11590
Mexico
comercial.mexico@telnet-ri.es

www.telnet-ri.es