

Planar array antenna 3300–3800 MHz

- Panel Antenna
- Internal RET
- 8T8R
- Beamforming
- 1x Calibration port

RF Electrical specifications*

Frequency Range (MHz)	3300–3800
Cluster Name	P1
Polarization (deg)	±45
Electrical Downtilt (deg)	2–12

* All specifications are subject to change without notice. Refer to TELNET for the most current information.

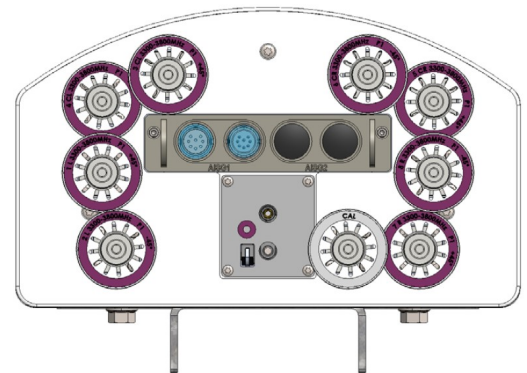
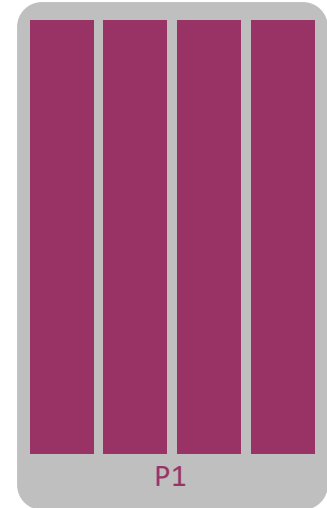
* All specifications are based on NGMN recommendations on Base Station Antenna Standards (BASTA).

Calibration and electrical parameters

Coupling factor (dB)	-26 +/- 2
Max Amplitude difference (dB)	0.9
Max Phase difference (deg)	5
VSWR	1.5
Co-polarization isolation (dB)	>20
Cross-polarization isolation (dB)	>25

Radiation parameters

Radiation parameters		
Single column beam	Horizontal 3dB beamwidth (deg)	85
	Gain (dBi)	16.2
	Vertical 3dB Beamwidth (deg)	5.6
	Crosspolar discrimination 0° (dB)	18
	Crosspolar discrimination ±60° (dB)	10
	Front to Back Ratio total power ±30 (dB)	25
	First Upper Side lobe level	18
Broadcast beam	Horizontal 3dB beamwidth (deg)	65
	Gain (dBi)	16.5
	Vertical 3dB Beamwidth (deg)	5.7
	Crosspolar discrimination 0° (dB)	12
	Fron to Back Ratio total power ±30 (dB)	26
	First Upper Side lobe level	16
Service beam	0° Beam Horizontal 3dB beamwidth (deg)	21
	0° Gain (dBi)	21.2
	0° Beam Side lobe level	12
	60° Beam Horizontal 3dB beamwidth (deg)	25
	60° Gain (dBi)	20
	60° Beam Side lobe level	7
	Front to Back Ratio total power ±30 (dB)	30



Mechanical specifications

Antenna Dimensions: Height/Width/Depth (mm)	1100 x 276 x 162
Packing Size: Height/Width/Depth (mm)	1400 x 394 x 287
Column spacing (mm)	50
Net Weight (kg)	14
Shipping Weight (kg)	19
Connector Quantity	8 + 1CAL
Connector Type	4.3-10 female connectors or others
Connector Position	Bottom
Wind Load Frontal (N @ 150 KMH)	258
Wind Load Lateral (N @ 150 KMH)	222
Wind Load Rear (N @ 150 KMH)	484
Survival wind speed (km/h)	200
Azimuth (Full antenna / Per Sector)	N/A
Radome Material	Fiber glass + polyester
Radome Colour	RAL9018
Mechanical Distance between Mounting Points - Antenna	790
Mechanical Distance between Mounting Points - Pole	725
Lightning Protection	DC grounded

TELNET RET

RET Type	Internal
Actuator standalone size: Height / Width / Depth (mm)	Inside the antenna
Actuator installed size: Height / Width / Depth (mm)	Inside the antenna
Working temperature range (°C)	-33–70
Power consumption (W)	1–10
Loss of position on power failure	False
Compatible standards	3GPP/AISG 2.0
Configuration management	Integrated RET, pre-configured.
Antenna configuration file availability	True
Antenna configuration file upgradability	Yes, by base station and proprietary portable controller
Software upgradability	Yes, by portable controller only.
Replaceability in field	Yes, without removing antenna.
Visual indicator available on tilt change	True
Daisy chain available	True


TNA330A00Rx0y ordering codes:

Rx:
<ul style="list-style-type: none"> • RU: Antenna with INTERNAL RET in all bands + one AISG control interface • RI: Antenna with INTERNAL RET in all bands + two AISG control interfaces • RP: Antenna ready for INTERNAL RET installation in all bands and one or two AISG control interfaces. Motors and electronics can be installed afterwards (without uninstalling antenna)
Oy:
<ul style="list-style-type: none"> • 01: Antenna with 4.3-1 connectors • 03: Antenna with NEX10 connectors • 04: Antenna with 2.2-5 connectors


* By default, all antennas are supplied with trisector configuration and white colour (RAL9018). For different colours and sector configurations, contact TELNET Redes Inteligentes.

RET Cabling recommendations:


Internal cabling for daisy chain connexion between RETS

Telnet cable code	TNR211050	
Connector 1	IEC 60130-9, female right angle connector	
Connector 2	IEC 60130-9, male right angle connector	
Length	500 mm	

Cabling between RETs and BTS/RRU: Option 1

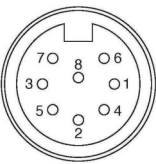
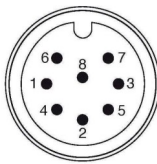
Telnet cable code	TNR212xxx (where xxx is the length of the cable)	
Connector 1	IEC 60130-9, female right angle connector	
Connector 2	IEC 60130-9, male connector	
Length	From 1m to 150m	

Cabling between RETs and BTS/RRU: Option 2

Telnet cable code	TNR215xxx (where xxx is the length of the cable)	
Connector 1	IEC 60130-9, female connector	
Connector 2	IEC 60130-9, male connector	
Length	From 1m to 150m	

Pin assignment

1	Not connected
2	Not connected
3	RS485 B
4	Not connected
5	RS485 A
6	+10V - +30V DC
7	DC Return
8	Not connected

Contact Information

TELNET Redes Inteligentes Headquarters

Poligono Industrial Centrovía
 c/ Buenos Aires, 18
 50198 La Muela, Zaragoza
 España
 Teléfono: (+34) 976 14 18 00
 Fax: (+34) 976 14 18 10
telnet@telnet-ri.es

Commercial office in Madrid

Avda. Menéndez Pelayo, 85 - 1º A
 28007 Madrid
 España
 Teléfono: (+34) 91 434 39 92
 Fax: (+34) 91 434 40 84

Subsidiary in Portugal

NETIBERTEL
 Av. Fontes Pereira de Melo, 35 - 14ºD
 1050-118 Lisboa
 Portugal
comercial.pt@telnet-ri.es

www.telnet-ri.es