

Compact Mast MUM63 with Game System

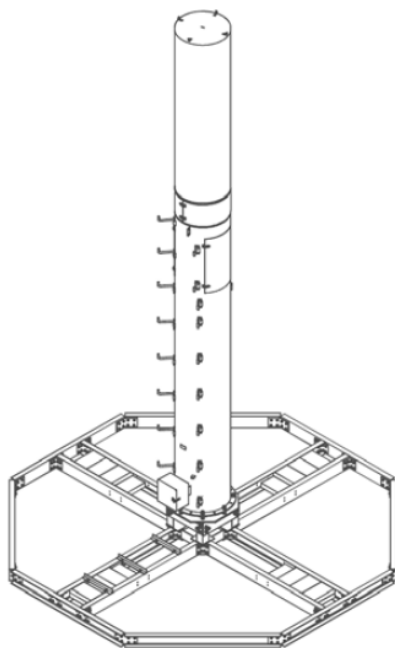
- Diameter = 635mm
- Adaptability
- Different kind of fixings

Main features

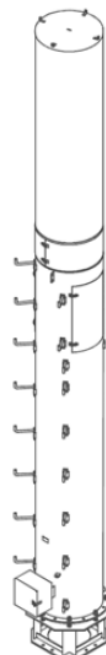
Minimum visual impact	It is possible to minimize the visual impact integrating the antenna and mast diameter
Accessibility	Easy access to the connectors, azimuth and tilt area. Quick release doors and existence of removable "pates" around the junction of the last section to provide access to all three sectors. And both module doors are prepared for installation of TMAs.
Double azimuth	All of our antennas have global azimuth between -50° and $+50^\circ$, and independent azimuth per sector that could be varied because of the type of installed antenna.
Multisector configuration	One-sector, bisector 120° , bisector 180° .
Variable Electrical Tilt, with RET (Remote Electrical Tilt)	Antennas are prepared to be installed with external or internal RET
Security System	GAME SYSTEM (vertical lifeline safety system) included in all of the sites where necessary

Types of masts as a function of height and anchor

NAME	BEDPLATE	ON THE GROUND
MUM63 0M	1,05 m	0,92 m
MUM63 1M	1,6 m	1,5 m
MUM63 2M	2,55 m	2,42 m
MUM63 3M	3,55 m	3,42 m
MUM63 4M	4,55 m	4,42 m



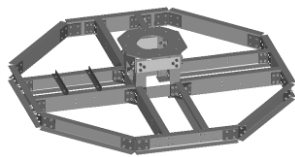
BEDPLATE



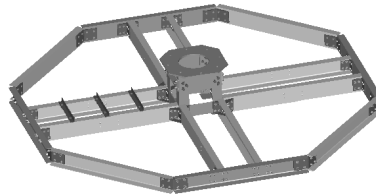
GROUND

Type of bedplate according to the mast and antenna

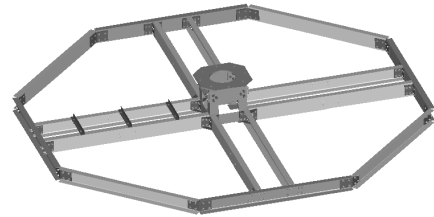
ANTENNA	MUM63-0M	MUM63-1M	MUM63-2M	MUM63-3M	MUM63-4M
635mm diameter compact antennas Up to 3m length	M Bedplate	L Bedplate	L Bedplate	XL Bedplate	XL Bedplate



Size M bedplate



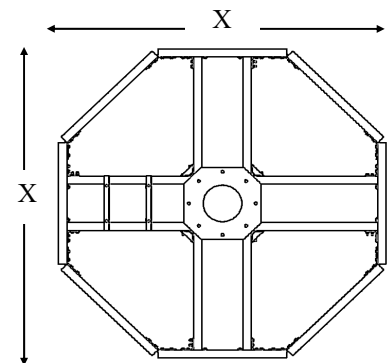
Size L bedplate



Size XL bedplate

Bedplate sizes

M Bedplate	2544 x 2544 mm
L Bedplate	3378 x 3378 mm
XL Bedplate	4400 x 4400 mm



TOP COVER Models

Classic	
Slotted	
Without top cover	-

Main features

Maximum deviation allowed under 1,5°	Wind speed 165 Km/h
Max. wind speed	200Km/h
Adjustable bedplate	Capacity leveling up to 7°
Ground anchoring	Capacity leveling up to 3°
NBAE	< 150Kg/m2

Advantages

Lower visual impact on urban sites.
Cables, RET and TMA located on the mast.
Not necessary crane mounting.
Modularity: Heights depending on the sites
Small items which allow transport by lift or staircase
Valid for 450 or 635 Telnet antennas
Bedplate is able to be installed without a crane
Ability to adapt to sites with limited space.
Low cost of installation and maintenance.
Safety system included in the mast.
Multiple configurations depending on needs of the site.

Contact Information

**TELNET Redes Inteligentes
Headquarters**
Industrial Estate Centrovía
18 Buenos Aires St.
50198 La Muela, Saragossa, Spain
Phone: (+34) 976 14 18 00
Fax: (+34) 976 14 18 10
telnet@telnet-ri.es

Commercial office in Portugal
NETIBERTEL
16 Fontes Pereira de Melo Avenue
Galeria Sottomayor, 1050 - 121 Lisbon, Portugal
comercial.pt@telnet-ri.es

Commercial office in Mexico
TELNET Azteca
Darwin 74, 3 floor, Col. Anzures
Del. Miguel Hidalgo C.P. 11590
Mexico
comercial.mexico@telnet-ri.es

www.telnet-ri.es